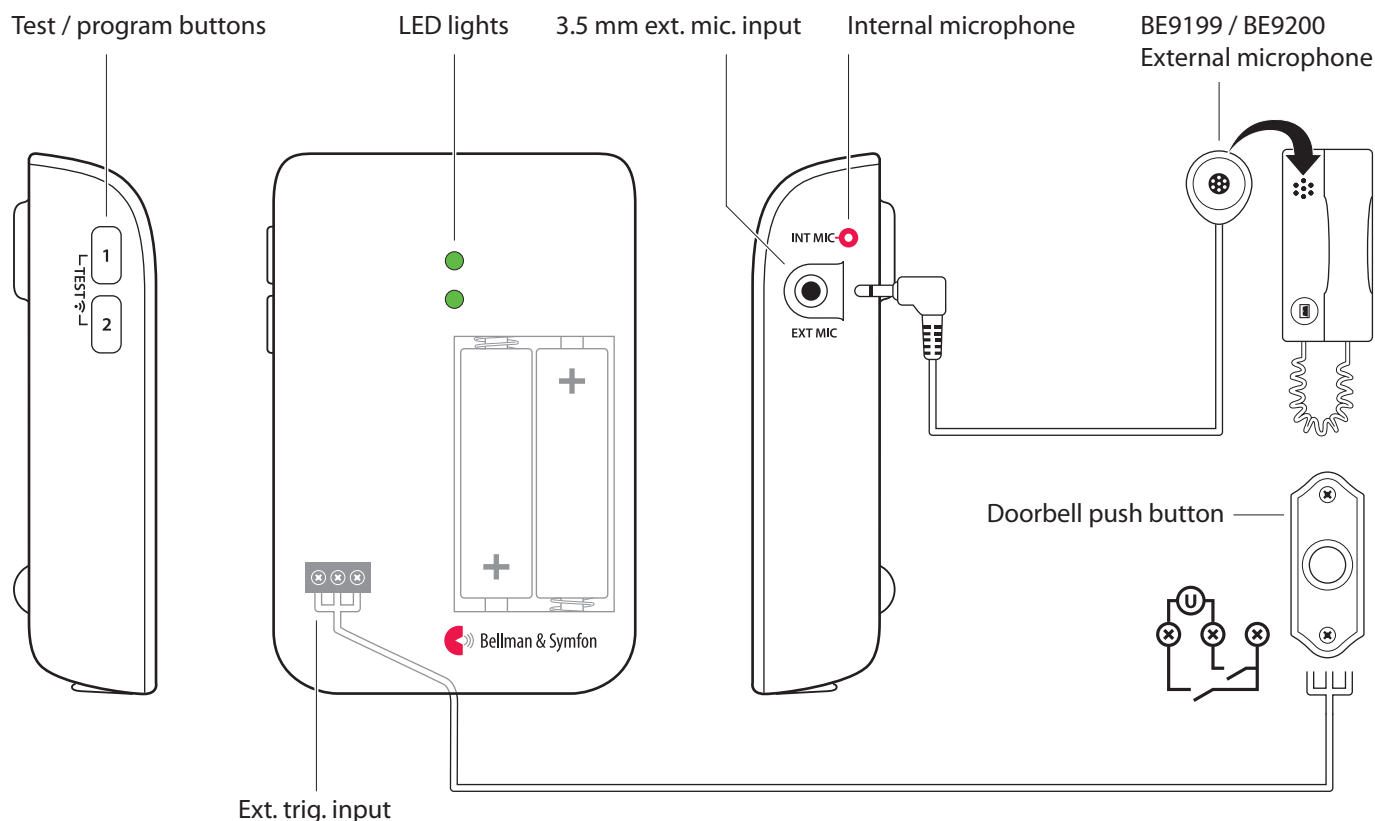




BE1411

Visit door transmitter

Buttons and connections



Technical specifications

In the box

- BE1411 Visit door transmitter
- 2 x 1.5 V AA alkaline batteries
- Velcro for wall mounting
- Screw and wall plug

Power and battery

- Battery power
2 x 1.5 V AA lithium or alkaline type batteries
- Power consumption
Active < 70 mA
Idle position < 15 μ A
- Operation time
Alkaline batteries ~ 5 years
Lithium batteries ~ 10 years

Dimensions and weight

- Height: 100 mm, 4.0"
- Width: 65 mm, 2.6"
- Depth: 27 mm, 1.1"
- Weight: 120 g, 4.2 oz. incl. batteries

Activation

- The test buttons and the int. mic.
- The electromagnetic detector
- The external microphone accessory
- The existing doorbell connected to the external trigger input

Inputs

- 3.5 mm external microphone input
- External trigger input

Environment

- For indoor use only
Operating temperature
15° to 35° C, 59° to 95° F
- Relative humidity
5% to 95%, non condensing

Frequency and coverage

- Frequency: 314.91 MHz, 433.92 MHz or 868.30 MHz, depending on region
- Coverage: 50 - 250 m, 55 - 273 yd. depending on the radio frequency and the building's characteristics

Accessories

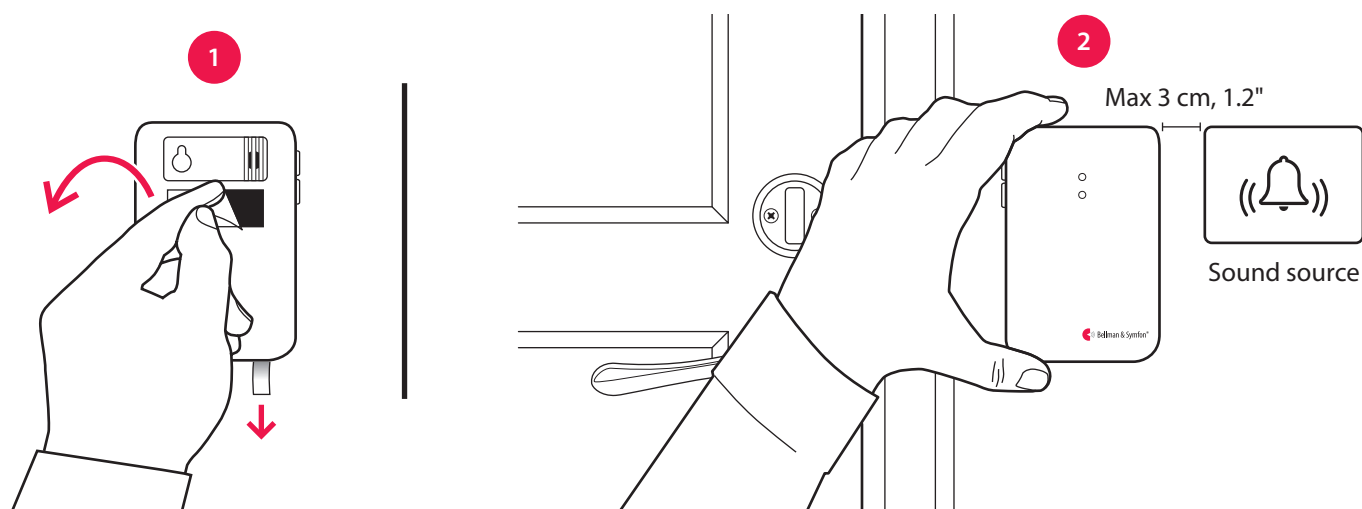
The following accessories are available:

- BE9199 External microphone 2.5 m
- BE9200 External microphone 0.75 m

Visit door transmitter

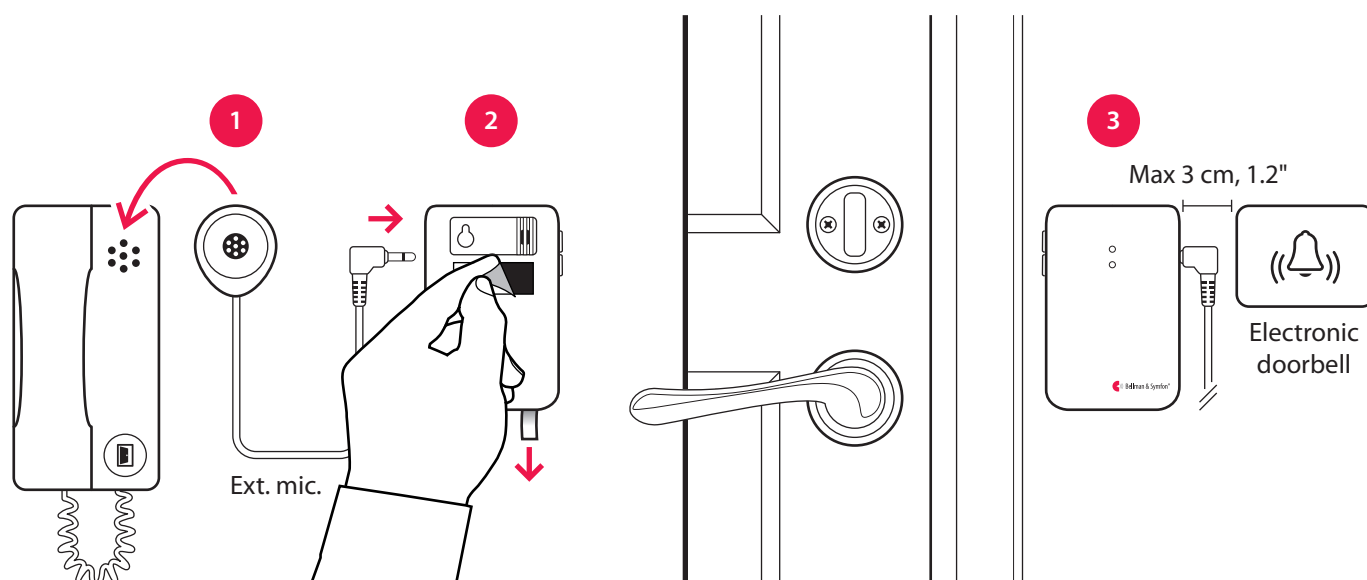
Installation – single sound source

- 1 Remove the battery pull tab to start the unit.
Clean the wall with the wet wipe and remove the protective film from the Velcro.
- 2 Mount the transmitter to the left of the doorbell sound source, as close as possible.
You can also use the supplied screw and plug.



Installation – intercom and electronic doorbell

- 1 Remove the protective film from the external microphone (sold separately) and attach it to the intercom speaker.
Connect the external microphone to the door transmitter ext. mic. input.
- 2 Remove the battery pull tab to start the unit.
Clean the wall with the wet wipe and remove the protective film from the Velcro.
- 3 Mount the transmitter to the left of the doorbell sound source, as close as possible.
You can also use the supplied screw and plug.

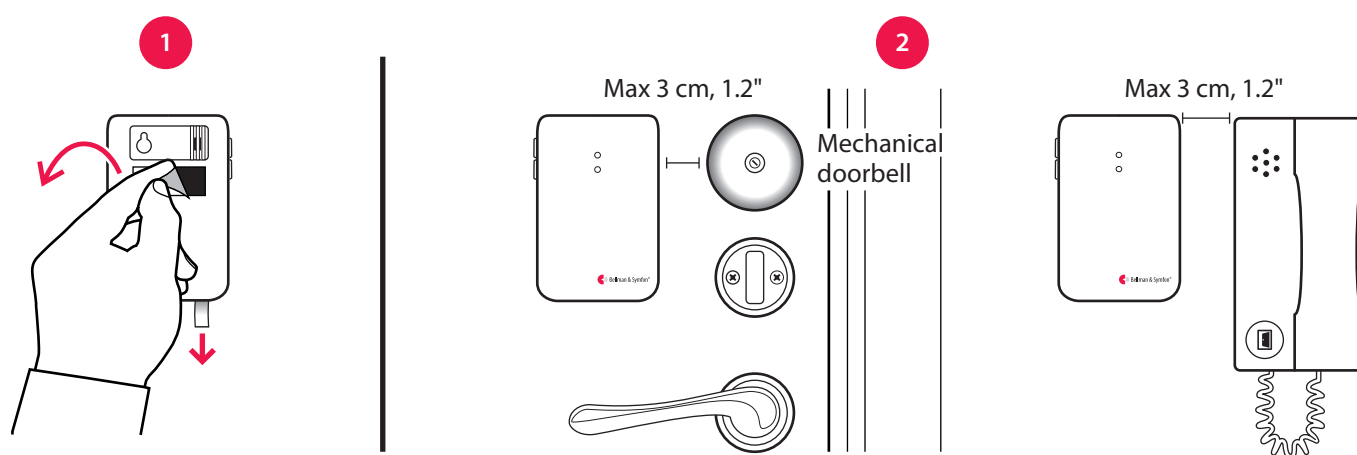


Visit door transmitter

Installation – intercom and mechanical doorbell

If you have an intercom and a mechanical doorbell, you may need two door transmitters, i.e. one for each sound source.

- 1 Pull the battery pull tab to start each door transmitter.
Clean the wall surface with the wet wipe and remove the protective film from the Velcro.
- 2 Mount one of the transmitters to the left of the doorbell and the other to the left of the intercom speaker, as close to the sound sources as possible.



Testing the connection

Using the test button

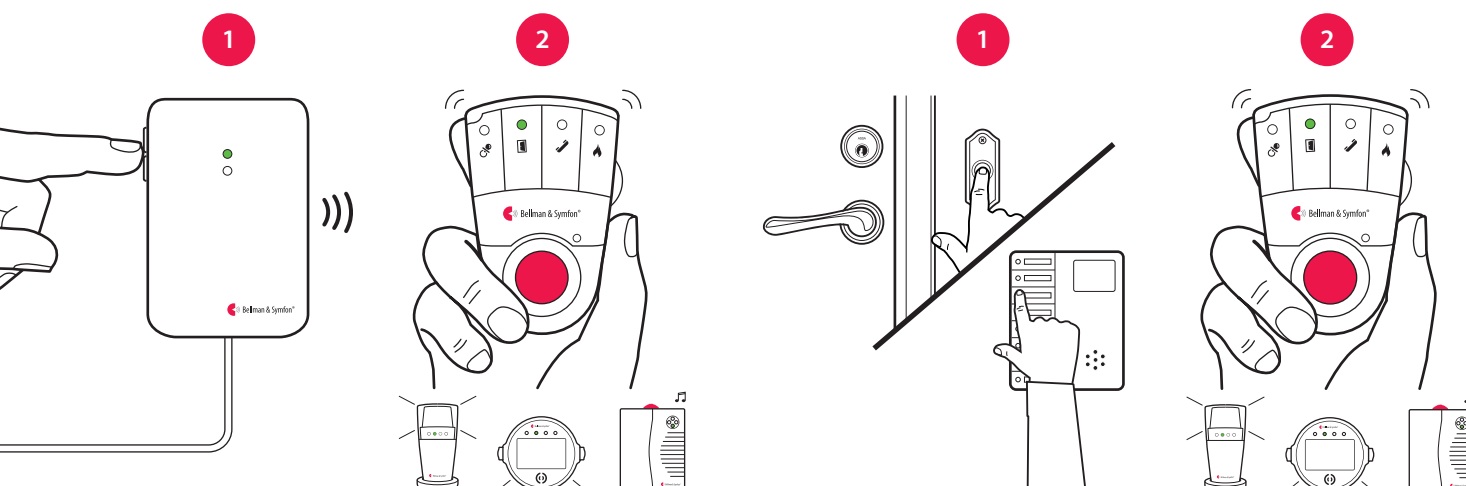
- 1 Press both test buttons simultaneously on the door transmitter. The top LED lights up in green to show that a radio signal is being transmitted.
- 2 The green Visit LED on the receiver lights up to show that the signal was received. In addition it starts to sound, flash or vibrate depending on the receiver.

Note: If you have changed the signal pattern, it will react in accordance with the table on the following spread.

Using the doorbell or intercom

- 1 Press the button on the doorbell or intercom. The LED on the transmitter lights up in green to show that the sound is detected.
- 2 The green Visit LED on the receiver lights up to show that the radio signal was received. In addition it starts to sound, flash or vibrate depending on the receiver.

Note: If you have changed the signal pattern, it will react in accordance with the table on the following spread.



Visit door transmitter

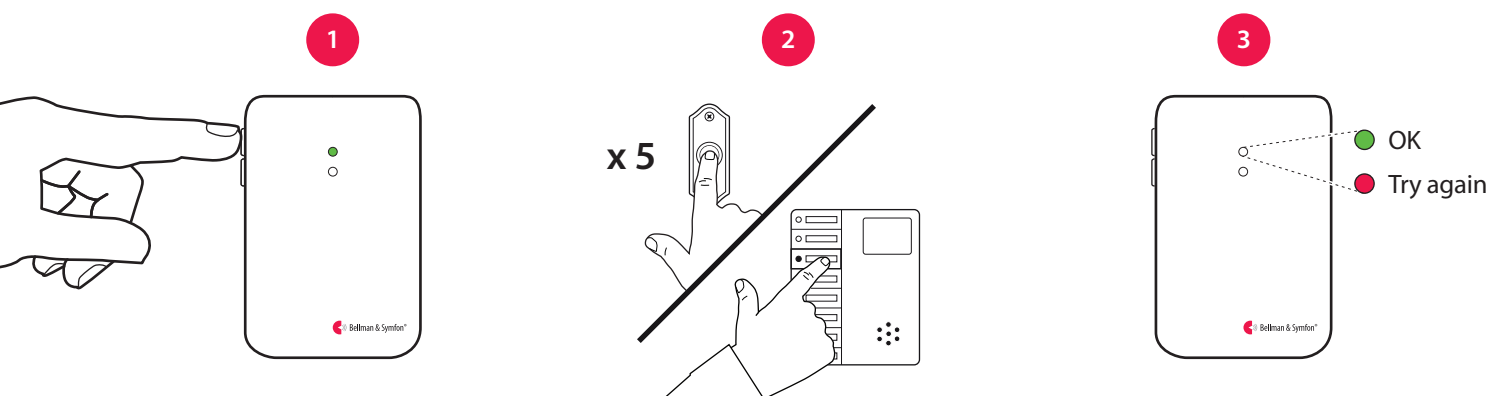
Programming the transmitter

The door transmitter is programmed from the start to recognize the majority of doorbells and intercoms. If the doorbell signal varies significantly in strength or tone, you might need to teach it to recognize the sound of your specific doorbell.

Here is how you program the transmitter:

- 1 Press and hold button 1 until the top LED starts to blink. Release it to start the recording.
- 2 Ring the doorbell at least five times. Pause 1 – 2 seconds between each press. The recording lasts for 5 minutes and ends automatically. You can stop it manually by pressing button 1.
- 3 When it's finished, the LED lights up in green to confirm that it was successful. If the LED is red, see **Troubleshooting**.
- 4 Ring the doorbell. The top LED on the transmitter lights up in green to confirm that it recognizes the sound.

You can record the sound of the intercom using button 2 by repeating the steps above.



Clearing the recorded sounds

To clear all recorded sounds, press and hold button 1 and 2 simultaneously for 5 seconds.

Note: This will clear the recorded sounds and the transmitter will return to factory settings, but the radio key settings and signal settings are kept intact.

Using electromagnetic detection

The transmitter can be set to detect electromagnetic fields generated by electric doorbells. Here is how it's done:

- Open the transmitter front cover and move signal switch no. 4 to the up = on position to activate electromagnetic detection. To deactivate it, move the signal switch back to the down = off position.



Using accessories

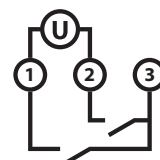
Using an external microphone

The external microphone can be used when the sound source is located too far away from the internal microphone or when you for instance need individual notifications from the doorbell and intercom.

Connecting an accessory to the external trigger input

Remove the front cover to access the screw terminal. There are three connection points.

- Use connection points **1** and **2** to connect an active switch like a relay with current.
Note: The current must be 2 – 30 VDC, polarity independent or 2 – 24 VAC 5 – 150Hz.
- Use connection points **2** and **3** to connect a passive mechanical switch like a doorbell push button.



Visit door transmitter

Default signal pattern

When the door transmitter is activated, the following happens:

- 1 The LED on the transmitter lights up in green to show that it's signalling the receiver.
- 2 The Visit LED on the receiver lights up in green and it starts to sound, flash or vibrate with a certain pace, called signal pattern. The transmitter and the connected accessories determine the signal pattern. The default is as follows:

Transmitter		Receiver signal pattern			
Source	LED	LED	Sound	Vibration	Flash
■ Internal microphone	Green, top	Green light	1 x door chime, low	Slow ■□□□	Yes
■ External microphone	Green, bottom	Green blinks	2 x door chime, high	Slow ■□□□	Yes
■ Connected doorbell	Green, top	3 x green blinks	1 x door chime, high	Slow ■□□□	Yes

Changing the signal pattern

The transmitter controls the signal pattern. Open the transmitter front cover and move the signal switches according to the table below to change it:



Transmitter		Receiver signal pattern			
Switch	Source	LED	Sound	Vibration	Flash
	Int. mic. / learned signal 1 / test Ext. mic. / learned signal 2 Connected doorbell	Green light Green blink 3 x green blinks	1 x door chime, low 2 x door chime, high 1 x door chime, high	Slow ■□□□ Slow ■□□□ Slow ■□□□	Yes Yes Yes
	Int. mic. / learned signal 1 / test Ext. mic. / learned signal 2 Connected doorbell	2 x green blinks 3 x green blinks Green blinks	2 x door chime low 1 x door chime, high 2 x door chime, high	Slow ■□□□ Slow ■□□□ Slow ■□□□	Yes Yes Yes
	Int. mic. / learned signal 1 / test Ext. mic. / learned signal 2 Connected doorbell	3 x green blinks 2 x green blinks 3 x orange blinks	1 x door chime, high 2 x door chime, low Baby melody	Slow ■□□□ Slow ■□□□ Fast ■■■■■■	Yes Yes Yes
	Int. mic. / learned signal 1 / test Ext. mic. / learned signal 2 Connected doorbell	Green blinks Green light Orange blinks	2 x door chime, high 1 x door chime, low Baby melody	Slow ■□□□ Slow ■□□□ Fast ■■■■■■	Yes Yes Yes
	Int. mic. / learned signal 1 / test Ext. mic. / learned signal 2 Connected doorbell	Green light 3 x green blinks 2 x green blinks	1 x door chime, low 1 x door chime, high 2 x door chime, low	Slow ■□□□ Slow ■□□□ Slow ■□□□	Yes Yes Yes
	Int. mic. / learned signal 1 / test Ext. mic. / learned signal 2 Connected doorbell	Green light Green blinks Yellow blinks	1 x door chime low 2 x door chime, high 2 x ring signal, high	Slow ■□□□ Slow ■□□□ Medium ■■□□	Yes Yes Yes
	Int. mic. / learned signal 1 / test Ext. mic. / learned signal 2 Connected doorbell	3 x green blinks Green light Red + orange light	1 x door chime, high 1 x door chime, low Emergency siren	Slow ■□□□ Slow ■□□□ Long ■■■□	Yes Yes Yes
	Int. mic. / learned signal 1 / test Ext. mic. / learned signal 2 Connected doorbell	Green blinks 2 x green blinks Red blinks	2 x door chime, high 2 x door chime, low Fire horn	Slow ■□□□ Slow ■□□□ Long ■■□□	Yes Yes Yes

Visit door transmitter

Changing the radio key

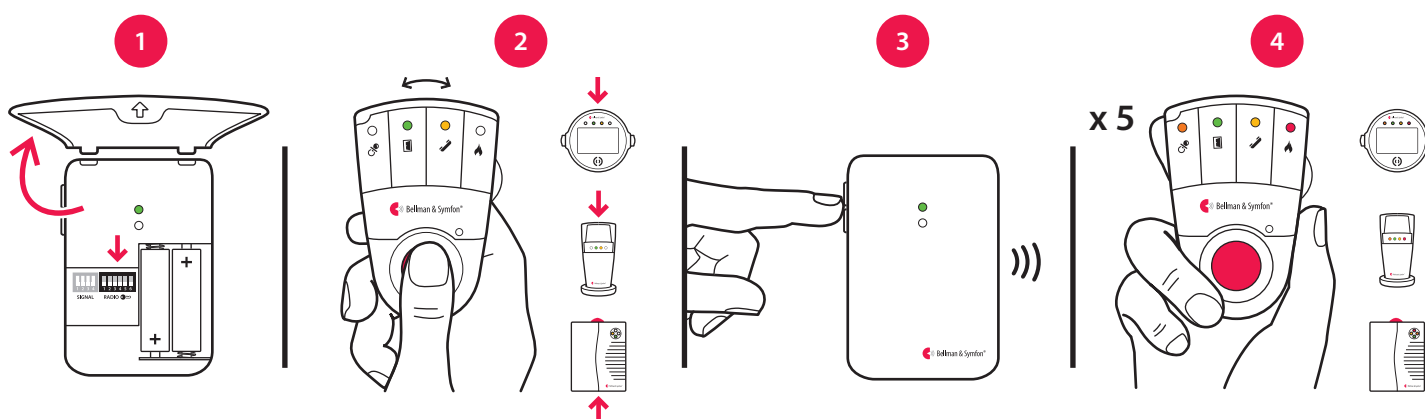
If your Visit system is activated for no reason, there is probably a nearby system that triggers yours. In order to avoid radio interference you need to change the radio key on all units. The radio key switches are located under the transmitter cover.

Here is how you change the radio key:

- 1 Open the transmitter front cover and move any radio key switch to the up = on position to change the radio key. (By default, all radio key switches are positioned down = off.)
- 2 Press and hold the test/function button on the receiver until the green and yellow Visit LEDs blink alternately. Release the button.
- 3 Press both test buttons simultaneously on the transmitter within 30 s to send the new radio key.
- 4 All Visit LEDs on the receiver blink 5 times to show that the radio key has been changed. It then returns to normal mode.



Please note: All Visit units must be set to the same radio key in order to operate as a group.



Troubleshooting

If	Try this
The LEDs blink in orange every minute	<ul style="list-style-type: none">▪ Replace the batteries. Only use 1.5 V AA (LR6) lithium or alkaline batteries.
The transmitter LEDs blink in orange every second	<ul style="list-style-type: none">▪ There are other competing sound sources around the door transmitter. Switch them off or turn them down.▪ Disconnect the external microphone accessory to make sure it is not faulty.
The transmitter LED lights up when I press the doorbell or intercom – but the receiver is not activated	<ul style="list-style-type: none">▪ Check the transmitter batteries and the receiver batteries and connections.▪ Move the receiver closer to the transmitter to make sure it's within radio range.▪ Check that the door transmitter and the receiver are set to the same radio key. For more information, see Changing the radio key.
The transmitter LED doesn't light up when I ring the doorbell or intercom	<ul style="list-style-type: none">▪ Ring the doorbell while moving the transmitter closer and further away from the sound source. The ideal distance is less than 3 cm.▪ Program the transmitter to recognize the doorbell sound. See Programming.▪ If the signal varies a lot in strength or tone, change to electromagnetic detection.▪ If the door transmitter is still not activated, press and hold button 1 and 2 simultaneously for 5 s to clear the recorded sounds and repeat the steps above.
The receiver is activated for no apparent reason	<ul style="list-style-type: none">▪ There is probably another Visit system installed nearby that triggers your system. Change the radio key on all units, see Changing the radio key.