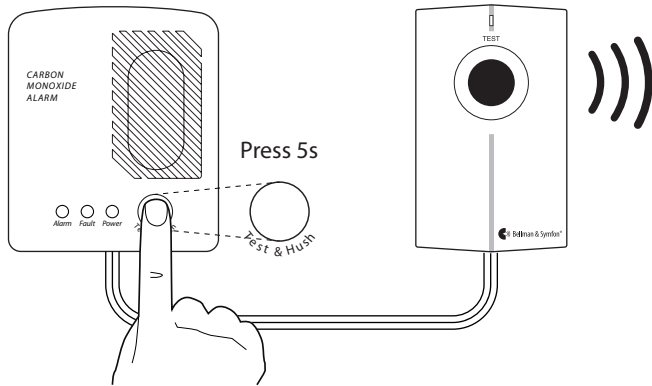


Weekly test

For maintenance please refer to the CO user guide.



The receiver reacts with sound, flashes and/or vibrations.

The signal pattern is as follows.

LED pattern	Sound	Vibration	Flash
Red + Orange LED blink alternately	Constant	Long	Yes



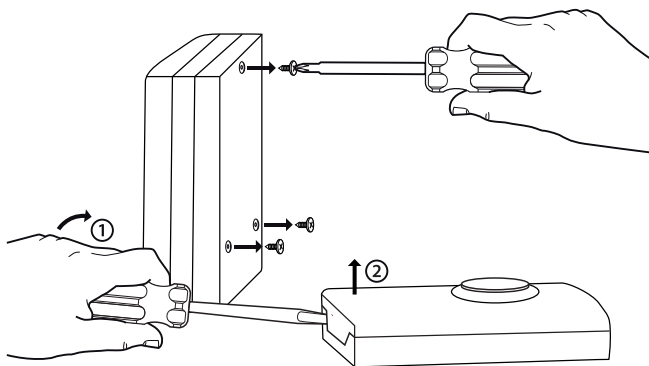
© and TM 2013 Bellman & Symfon AB. All rights reserved. The Bellman & Symfon logo and Bellman are registered trademarks of Bellman & Symfon AB.

 **Bellman & Symfon®**
DESIGN FOR EARS



Getting started

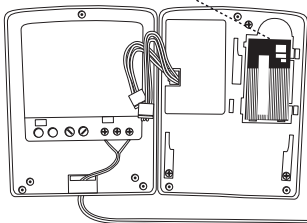
1. Open the units



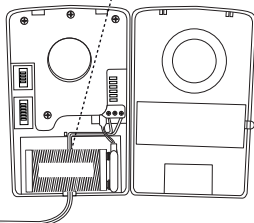
2. Replace batteries

Change yearly on both units

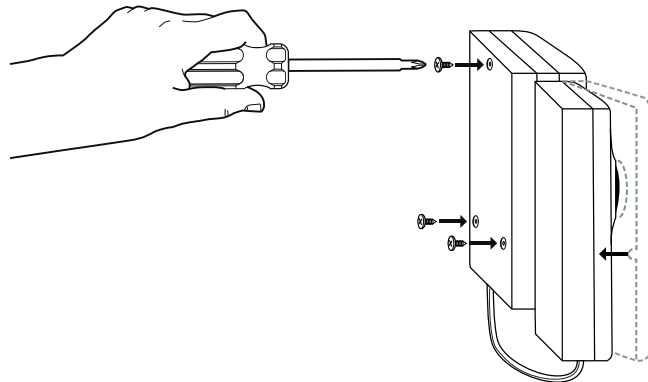
Battery 6LR61/ PP3 9V



Battery 6LR61/ PP3 9V



3. Reassemble the units

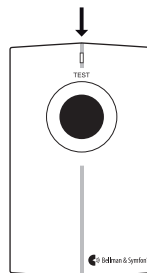


Low battery indication

LED when transmitting

Green: Battery OK

Yellow: Low battery



One yellow blink and
one beep every minute

